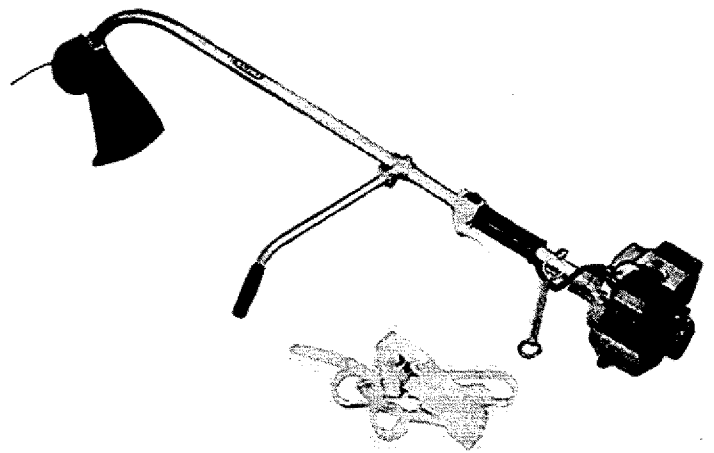


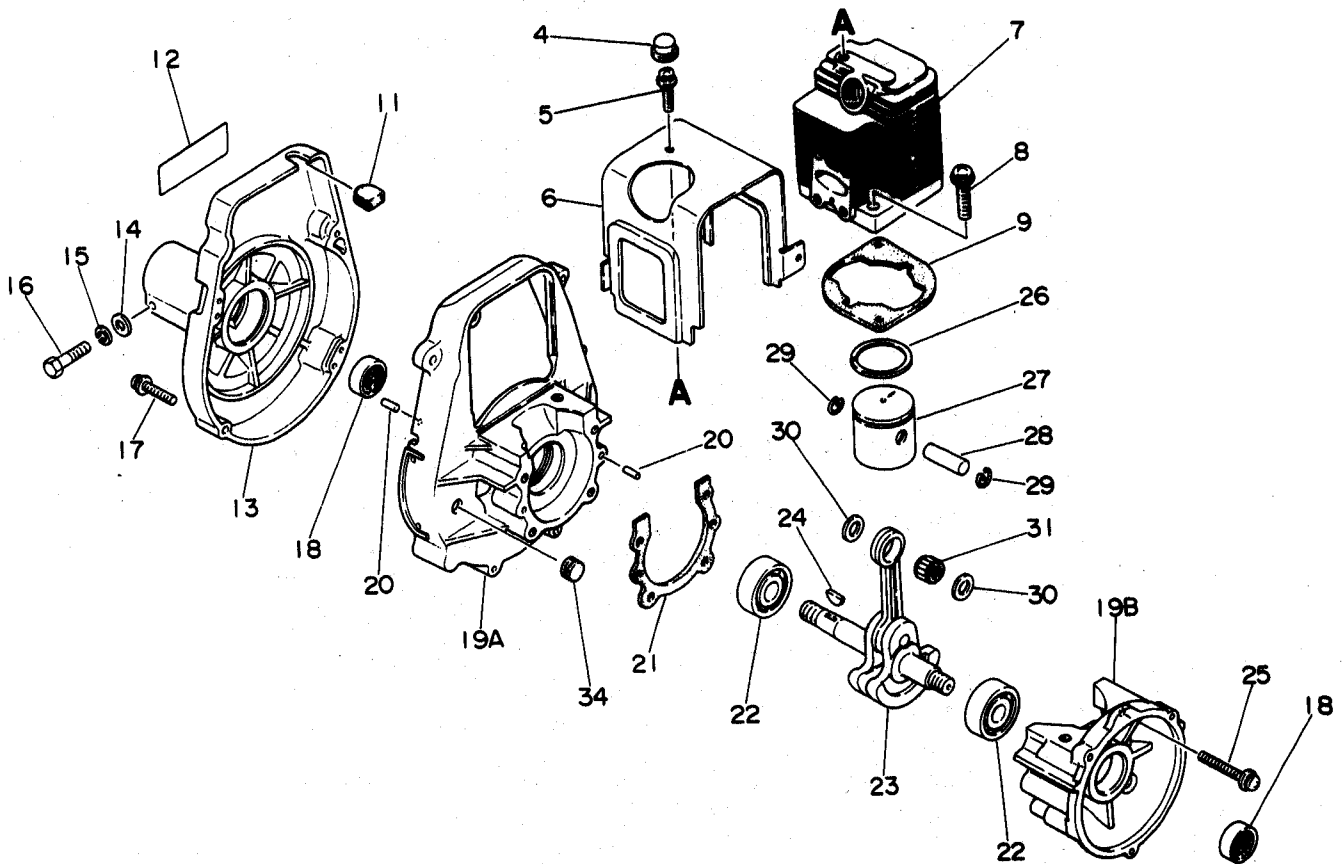


**PARTS CATALOG
TRIMMER/
BRUSHCUTTER
SRM-210AE**



**898 56124233
01/85**

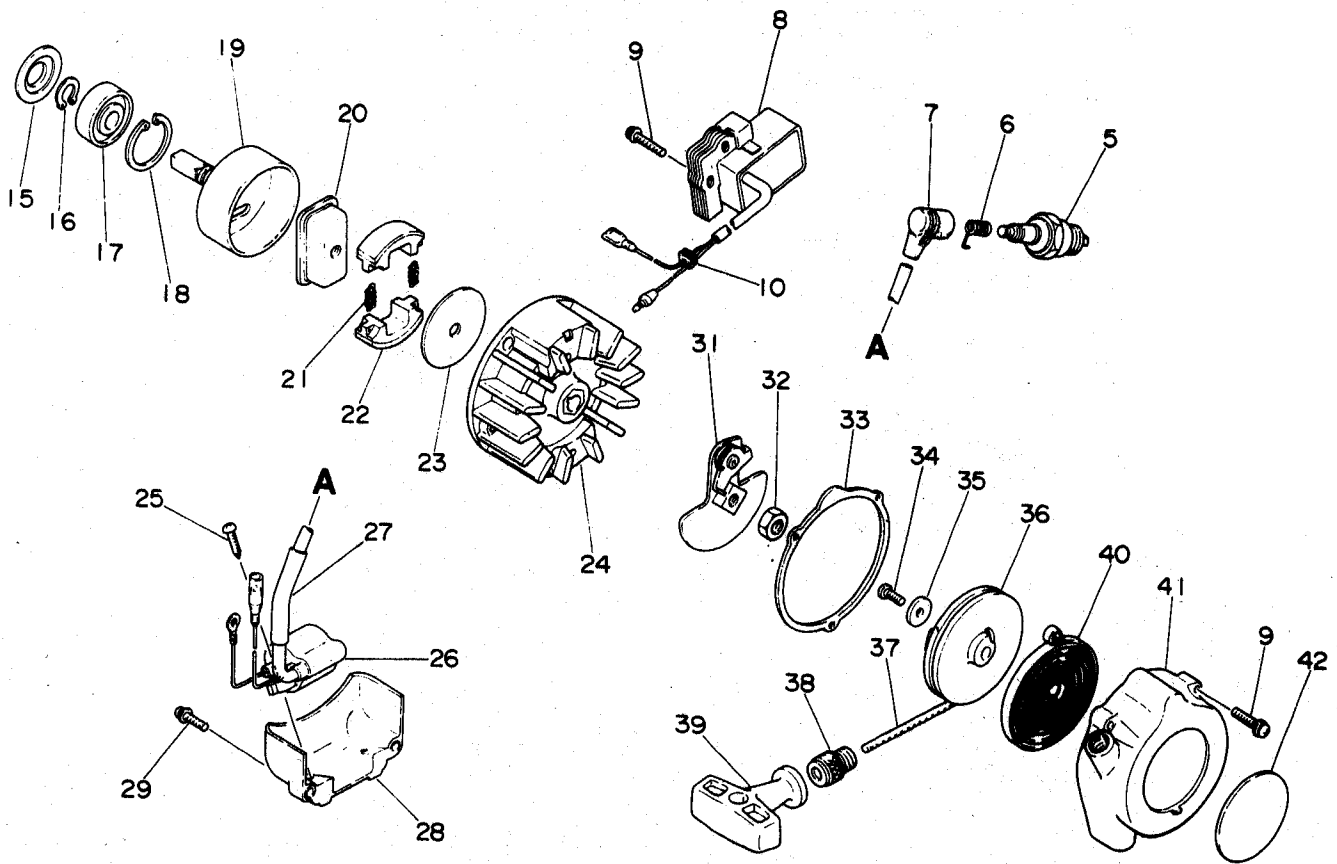
SRM-210AE 1



| Key No. | Part No. | Q'ty | Description | Key No. | Part No. | Q'ty | Description |
|---------|-----------------|------|------------------|---------|-----------------|------|-----------------|
| 1- 4 | 880 518-0922 0 | 1 | Cap, screw | 1-20 | -100 215-0393 0 | 4 | Knock pin |
| 5 | 900 242-0501 0 | 1 | Screw 5 x 10 | 21 | 100 242-0492 0 | 1 | Gasket, case |
| 6 | 101 514-0932 0 | 1 | Cover, cylinder | 22 | 900 810-3620 1 | 2 | Bearing, ball |
| 7 | 101 011-0932 0 | 1 | Cylinder | 23 | 100 100-0742 0 | 1 | Shaft, ball |
| 8 | 900 242-0602 0 | 2 | Screw 6 x 20 | 24 | 100 142-0031 0 | 1 | Key, woodruff |
| 9 | 101 010-0492 0 | 1 | Gasket, cylinder | 25 | 900 242-0503 0 | 4 | Screw 5 x 30 |
| 11 | 101 538-0742 0 | 1 | Plug | 26 | 100 011-0533 0 | 1 | Ring, piston |
| 12 | 890 115-2423 0 | 1 | Decal 210AE | 27 | 100 010-0652 0 | 1 | Piston |
| 13 | 101 511-0973 0 | 1 | Cover, fan | 28 | 100 013-1021 0 | 1 | Pin, piston |
| 14 | 900 600-0000 5 | 1 | Washer 5 | 29 | 100 015-0483 0 | 2 | Circlip |
| 15 | 900 605-0000 5 | 1 | Spring washer 5 | 30 | 100 014-0652 0 | 2 | Spacer |
| 16 | 900 151-0502 5 | 1 | Bolt | 31 | 100 113-0593 0 | 1 | Bearing, needle |
| 17 | 900 242-0402 0 | 4 | Screw 4 x 20 | 34 | 100 223-0732 0 | 1 | Plug |
| 18 | 100 213-0553 0 | 2 | Seal, oil | | | | |
| 19 | 100- 200-0742 0 | 1 | Case, crank | | | | |

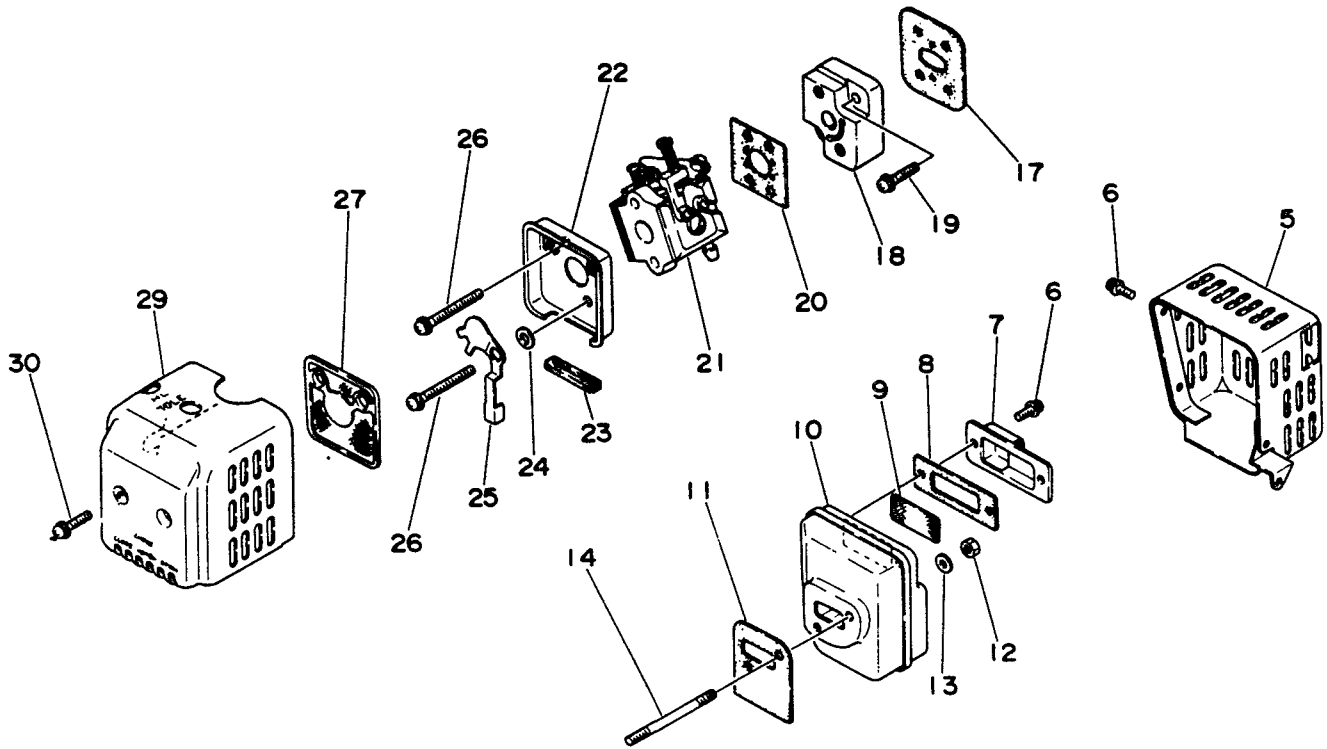
Remarks
19 Includes 20

SRM-210AE 2



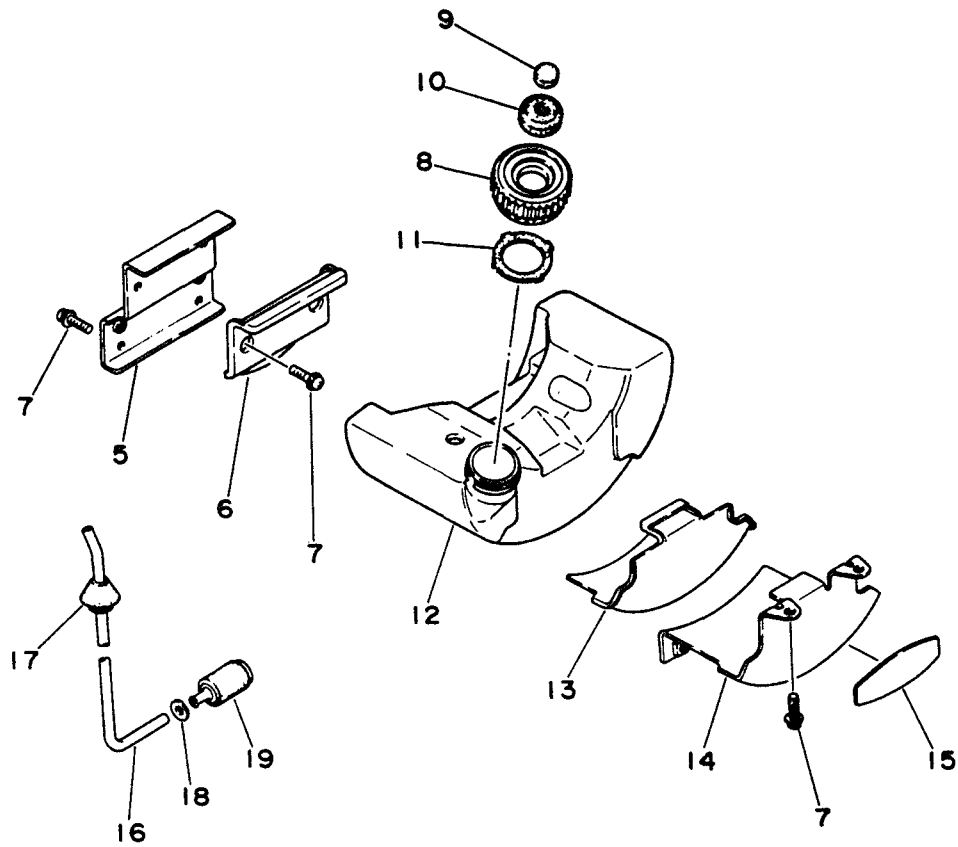
| Key No. | Part No. | Q'ty | Description | Key No. | Part No. | Q'ty | Description |
|---------|----------------|------|------------------|-------------------------------------|-----------------|------|-----------------|
| 2- 5 | 159 026-0393 0 | 1 | Plug, spark CJ-8 | 2-29 | 900 242-0401 4 | 2 | Screw 4 x 14 |
| 6 | 159 011-0343 2 | 1 | Spring, | 31 | 177 305-0492 0 | 1 | Ratchet ass'y |
| 7 | 159 012-0343 3 | 1 | Cap, spark plug | 32 | 900 502-0000 8 | 1 | Nut 8 |
| 8 | 156 601-0742 1 | 1 | Module CDI | 33 | 100 615-0492 0 | 1 | Gasket |
| 9 | 900 242-0402 0 | 4 | Screw 4 x 20 | * | 177 200-0742 0 | 1 | Starter ass'y |
| 10 | 156 114-0231 0 | 1 | Grommet | 34 | -900 241-0401 0 | 1 | Screw 4 x 10 |
| 15 | 175 053-0492 0 | 1 | Stopper | 35 | -177 214-2043 0 | 1 | Washer |
| 16 | 900 701-0001 2 | 1 | Circlip 12 | 36 | -177 215-0492 0 | 1 | Drum, starter |
| 17 | 900 819-3620 1 | 1 | Bearing, ball | 37 | -177 226-0653 0 | 1 | Rope, starter |
| 18 | 900 702-0003 2 | 1 | Circlip 32 | 38 | -177 227-0533 0 | 1 | Guide, rope |
| 19 | 175 010-0492 0 | 1 | Drum, clutch | 39 | -177 228-0653 0 | 1 | Handle, starter |
| 20 | 175 016-0492 0 | 1 | Boss, clutch | 40 | -177 220-0653 0 | 1 | Spring, rewind |
| 21 | 175 018-0513 0 | 2 | Spring, clutch | 41 | -177 209-0742 0 | 1 | Case, starter |
| 22 | 175 009-0513 0 | 2 | Shoe, clutch | 42 | 890 112-2673 0 | 1 | Decal, ECHO |
| 23 | 175 019-0492 0 | 1 | Plate, side | | | | |
| 24 | 156 800-0742 0 | 1 | Flywheel | Remarks * Consists of 34 thru 41 | | | |
| 25 | 900 249-0401 6 | 2 | Screw, tapping | | | | |
| 26 | 156 626-0942 0 | 1 | Coil, ignition | | | | |
| 27 | 156 611-0942 0 | 1 | Tube | | | | |
| 28 | 159 315-0942 0 | 1 | Cover, coil | | | | |

SRM-210AE 3



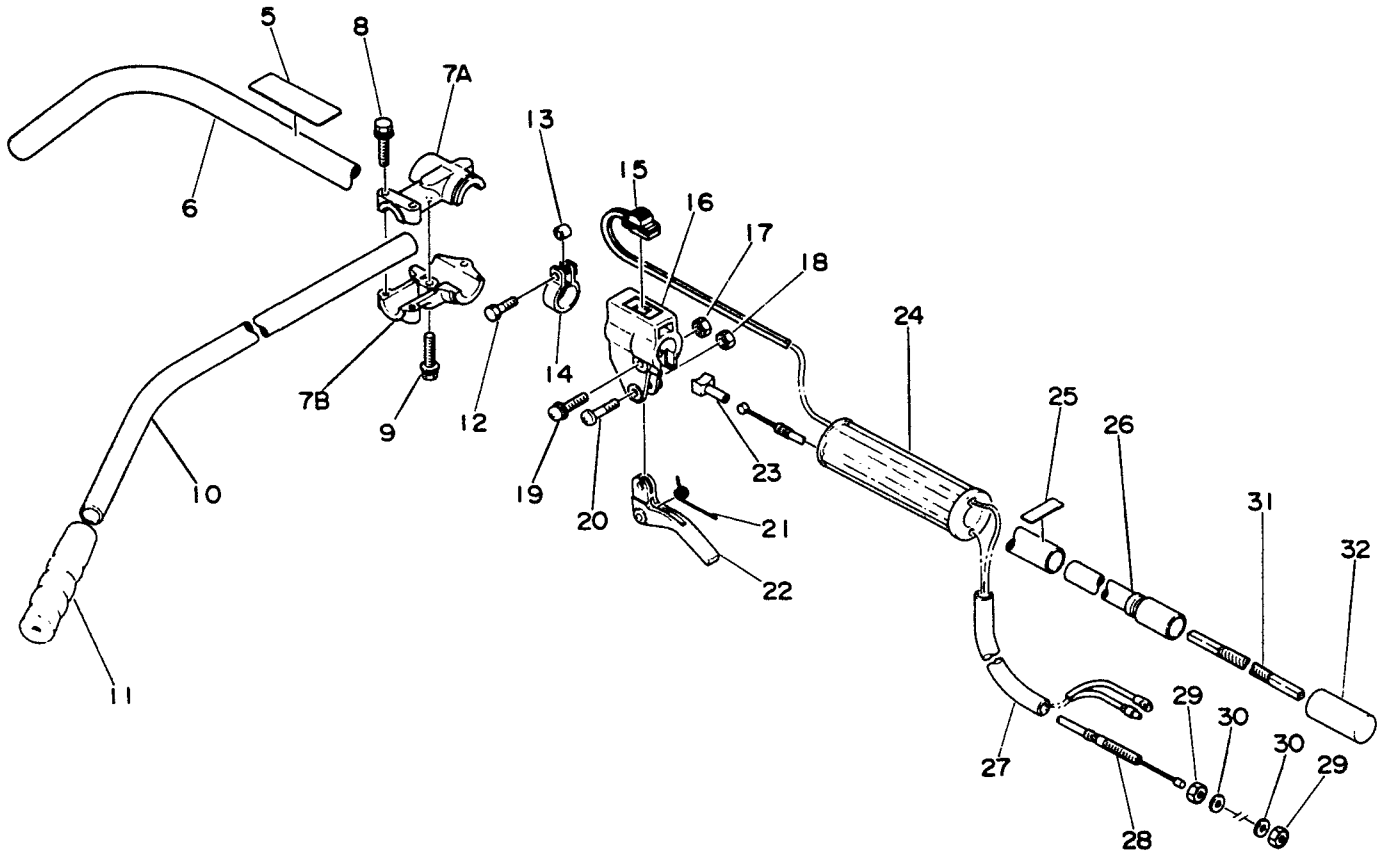
| Key No. | Part No. | Q'ty | Description | Key No. | Part No. | Q'ty | Description |
|---------|-----------------|------|--------------------|--|-----------------|------|--------------------|
| 3- * | 145 803-0922 0 | 1 | Muffler ass'y | 3-21 | 123 000-0932 0 | 1 | Carburetor |
| 5 | -145 871-0922 0 | 1 | Cover, muffler | 22 | 130 301-0922 0 | 1 | Case, air cleaner |
| 6 | -900 242-0401 0 | 4 | Screw 4 x 10 | 23 | -178 810-2163 0 | 1 | Grommet |
| 7 | -145 809-0652 0 | 1 | Screen holder | 24 | 178 516-0083 0 | 1 | Spacer |
| 8 | -145 866-0922 0 | 1 | Gasket | 25 | 178 515-0922 0 | 1 | Choke shutter |
| 9 | -145 862-0922 0 | 1 | Screen | 26 | 900 242-0504 0 | 2 | Screw 5 x 40 |
| 10 | -145 806-0922 0 | 1 | Muffler | 27 | 130 310-0653 0 | 1 | Air filter |
| 11 | -145 510-0922 0 | 1 | Gasket, muffler | 29 | 130 308-0922 0 | 1 | Cover, air cleaner |
| 12 | 433 020-0083 0 | 2 | Lock nut 5 | 30 | 900 242-0401 8 | 2 | Screw 4 x 18 |
| 13 | 900 603-0000 5 | 2 | Washer 5 | | | | |
| 14 | 101 014-0056 0 | 2 | Stud, muffler | Remarks. * Consists of 5 thru 11 22 Includes 23 | | | |
| 17 | 130 010-0922 0 | 1 | Gasket | | | | |
| 18 | 130 007-0932 0 | 1 | Insulator | | | | |
| 19 | 900 243-0502 0 | 2 | Screw 5 x 20 | | | | |
| 20 | 130 016-0922 0 | 1 | Gasket, carburetor | | | | |

SRM-210AE 4



| Key No. | Part No. | Q'ty | Description | Key No. | Part No. | Q'ty | Description |
|---------|-----------------|------|---------------------|---|----------------|------|--------------------------|
| 4- 5 | 131 910-0922 0 | 1 | Bracket, fuel tank | 4-15 | 890 118-2403 0 | 1 | Decal, ECHO |
| 6 | 131 920-0922 0 | 1 | Cushion, fuel tank | 16 | 132 010-0922 0 | 1 | Fuel pipe (3 x 6 x 135L) |
| 7 | 900 242-0401 4 | 6 | Screw 4 x 14 | 17 | 132 115-0492 0 | 1 | Grommet |
| 8 | 131 004-0632 0 | 1 | Cap ass'y, f. tnk | 18 | 900 603-0000 5 | 1 | Washer 5 |
| 9 | -131 315-0502 0 | 1 | filter | 19 | 131 200-2133 0 | 1 | Strainer, fuel |
| 10 | -131 314-0632 0 | 1 | Check valve | Remarks 8 includes 9 thru 11 16 includes 17 | | | |
| 11 | -131 016-0492 0 | 1 | Gasket, f. tank cap | | | | |
| 12 | 131 010-0922 0 | 1 | Fuel tank | | | | |
| 13 | 131 924-0922 0 | 1 | Cushion | | | | |
| 14 | 131 918-0922 0 | 1 | Bracket, fuel tank | | | | |

SRM-210AE 5

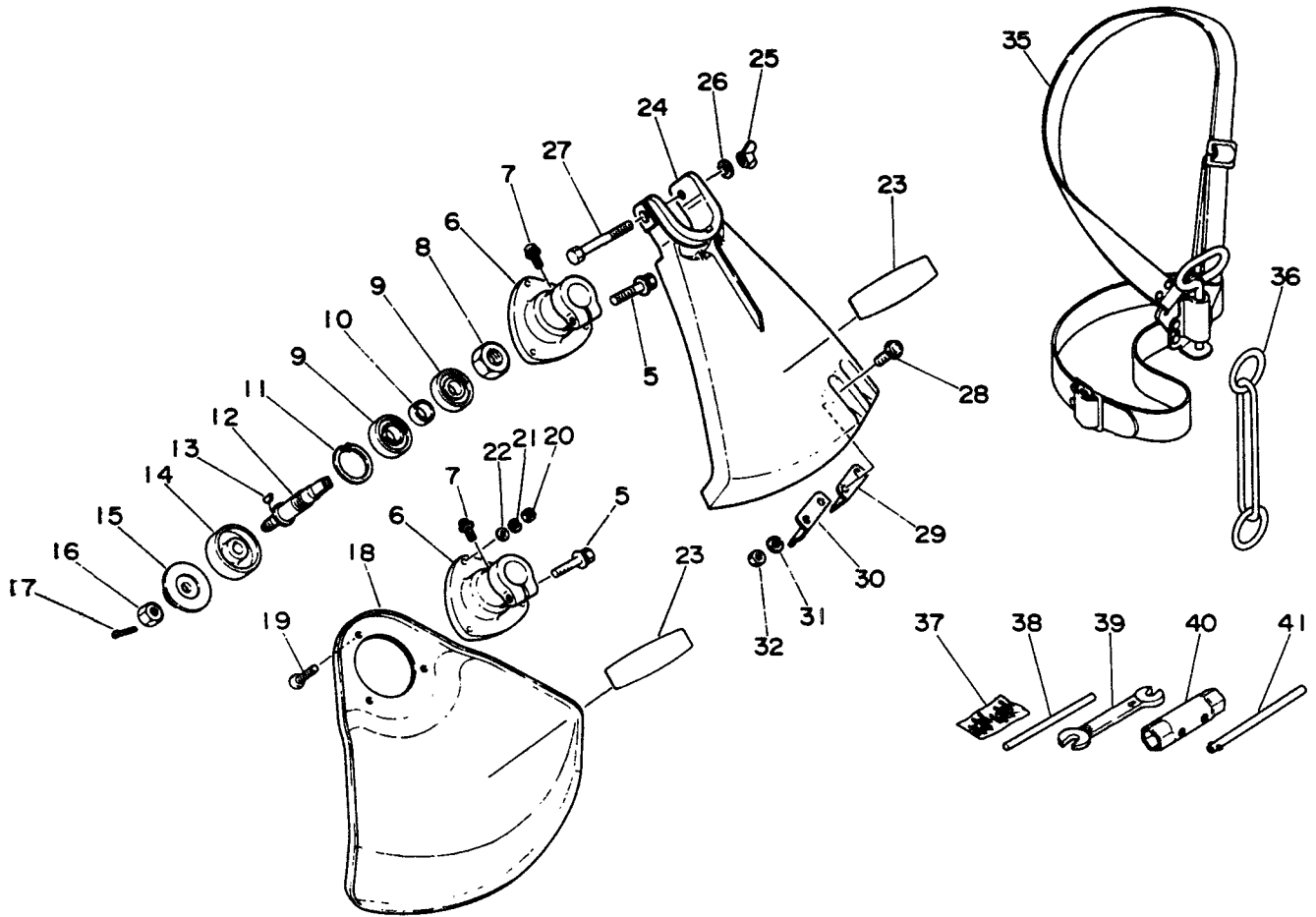


| Key No. | Part No. | Q'ty | Description | Key No. | Part No. | Q'ty | Description |
|---------|-----------------|------|-------------------|---------|----------------|------|-------------------|
| 5 | 890 160-2033 0 | 1 | Decal, caution | 2-20 | 178 110-0533 0 | 1 | Screw |
| 6 | 610 210-2333 0 | 1 | Housing, drive | 21 | 178 043-0693 0 | 1 | Spring, lever |
| 7 | 351 601-0993 0 | 1 | Bracket ass'y | 22 | 178 010-0563 0 | 1 | Trigger, throttle |
| 8 | -900 142-0502 5 | 2 | Bolt 5 x 25 | 23 | 178 048-0563 0 | 1 | Spacer |
| 9 | -900 142-0502 8 | 2 | Bolt 5 x 28 | 24 | 351 111-0963 0 | 1 | Grip |
| 10 | 351 610-0993 0 | 1 | Handle | 25 | 890 152-0493 0 | 1 | Decal, guide |
| 11 | 351 213-0593 0 | 1 | Grip, handle | 26 | 610 217-2333 0 | 1 | Bush |
| 12 | 900 100-0501 8 | 1 | Bolt 5 x 18 | 27 | 178 127-0963 0 | 1 | Tube |
| 13 | 699 012-0333 0 | 1 | Spacer | 28 | 178 001-0963 0 | 1 | Cable, throttle |
| 14 | 301 207-2333 0 | 1 | Hock | 29 | 900 502-0000 6 | 2 | Nut 6 |
| 15 | 163 400-0963 0 | 1 | Switch | 30 | 900 600-0000 6 | 2 | Washer 6 |
| 16 | 178 024-0963 0 | 1 | Bracket, throttle | 31 | 610 013-2333 0 | 1 | Shaft, drive |
| 17 | 900 500-0000 5 | 1 | Nut 5 | 32 | Unavailable | 1 | Cap, housing |
| 18 | 433 020-0083 0 | 1 | Nut, lock 5 | | | | |
| 19 | 900 242-0502 8 | 1 | Screw 5 x 28 | | | | |

Remarks

7 Includes 8 and 9

SRM-210AE 6

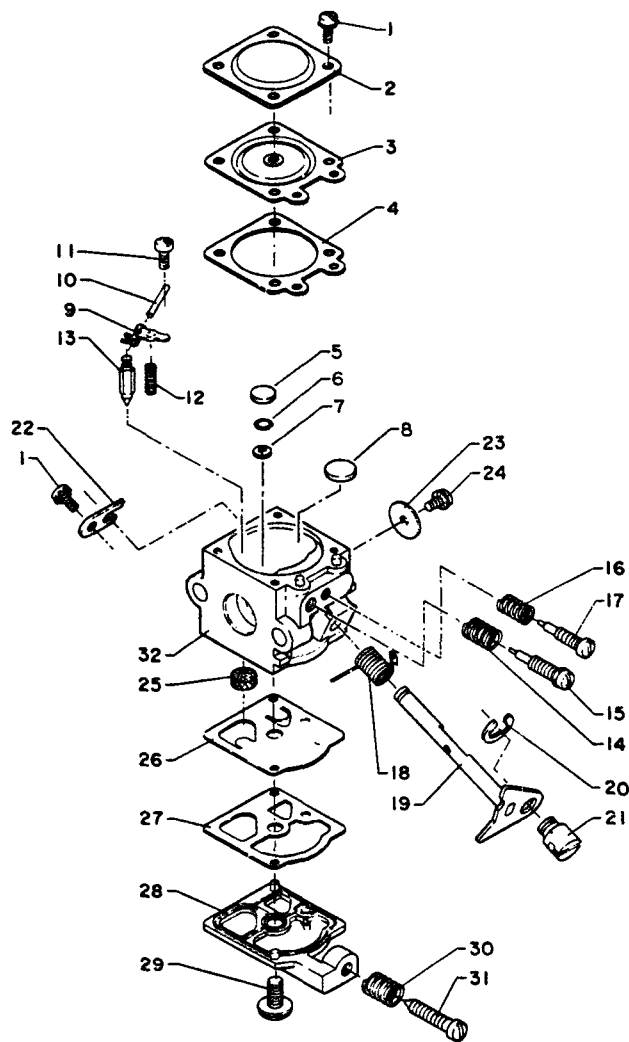


| Key No. | Part No. | Q'ty | Description | Key No. | Part No. | Q'ty | Description |
|------------|-----------------------|----------|-----------------------------|-------------|-----------------------|----------|-------------------------------|
| 6-* | 610 400-2333 0 | 1 | Housing ass'y | 6-24 | 699 000-2333 0 | 1 | Shield ass'y (Plastic) |
| 5 | -900 152-0502 5 | 1 | Bolt | 25 | -900 525-0000 6 | 1 | Nut, wing 6 |
| 6 | -610 410-2333 0 | 1 | Housing | 26 | -900 600-0000 6 | 1 | Washer 6 |
| 7 | -900 242-0401 0 | 1 | Screw 4 x 10 | 27 | -900 100-0605 0 | 1 | Bolt 6 x 50 |
| 8 | -900 513-0001 2 | 1 | Nut 12 L-h | 28 | -900 240-0501 4 | 2 | Screw 5 x 14 |
| 9 | -900 802-0600 1 | 2 | Bearing, ball | 29 | -699 016-0632 0 | 1 | Cutter |
| 10 | -610 315-0653 0 | 1 | Spacer | 30 | -699 212-0963 0 | 1 | Guard |
| 11 | -900 702-0002 8 | 1 | Circlip 28 | 31 | -900 605-0000 5 | 2 | Washer, spring 5 |
| 12 | -610 310-2333 0 | 1 | Shaft, P.T.O. | 32 | -900 500-0000 5 | 2 | Nut 5 |
| 13 | -610 325-0273 0 | 1 | Key, woodruff | 35 | 301 000-2433 0 | 1 | Strap ass'y |
| 14 | -610 313-0653 0 | 1 | Plate, fixing | 36 | -301 305-2433 0 | 1 | Strap |
| 15 | -610 314-0603 0 | 1 | Plate, fixing | 37 | 898 502-0113 0 | 1 | Pin, split (10 pcs.) |
| 16 | -610 320-2333 0 | 1 | Nul 3/8-24 UNF | 38 | 897 518-0113 1 | 1 | Rod, locking |
| 17 | -900 300-2002 2 | 1 | Pin, Split | 39 | 895 112-0033 0 | 1 | Spanner 8 x 10 |
| 18 | 699 000-0733 0 | 1 | Shield ass'y (Steel) | 40 | 895 419-0533 0 | 1 | Wrech, box 17 x 19 |
| 19 | -900 220-0401 8 | 3 | Screw 4 x 18 | 41 | 895 412-0023 0 | 1 | Rod, handle |
| 20 | -900 500-0000 4 | 3 | Nut 4 | | | | |
| 21 | -900 605-0000 4 | 3 | Washer, spring 4 | | | | |
| 22 | -900 600-0000 4 | 3 | Washer 4 | | | | |
| 23 | 890 138-2403 0 | 2 | Decal, ECHO | | | | |

Remarks

- * Consists of 5 thru 17
- 18 Includes 19 thru 23
- 24 Includes 25 thru 32
- 35 Includes 36

SRM-210AE 7



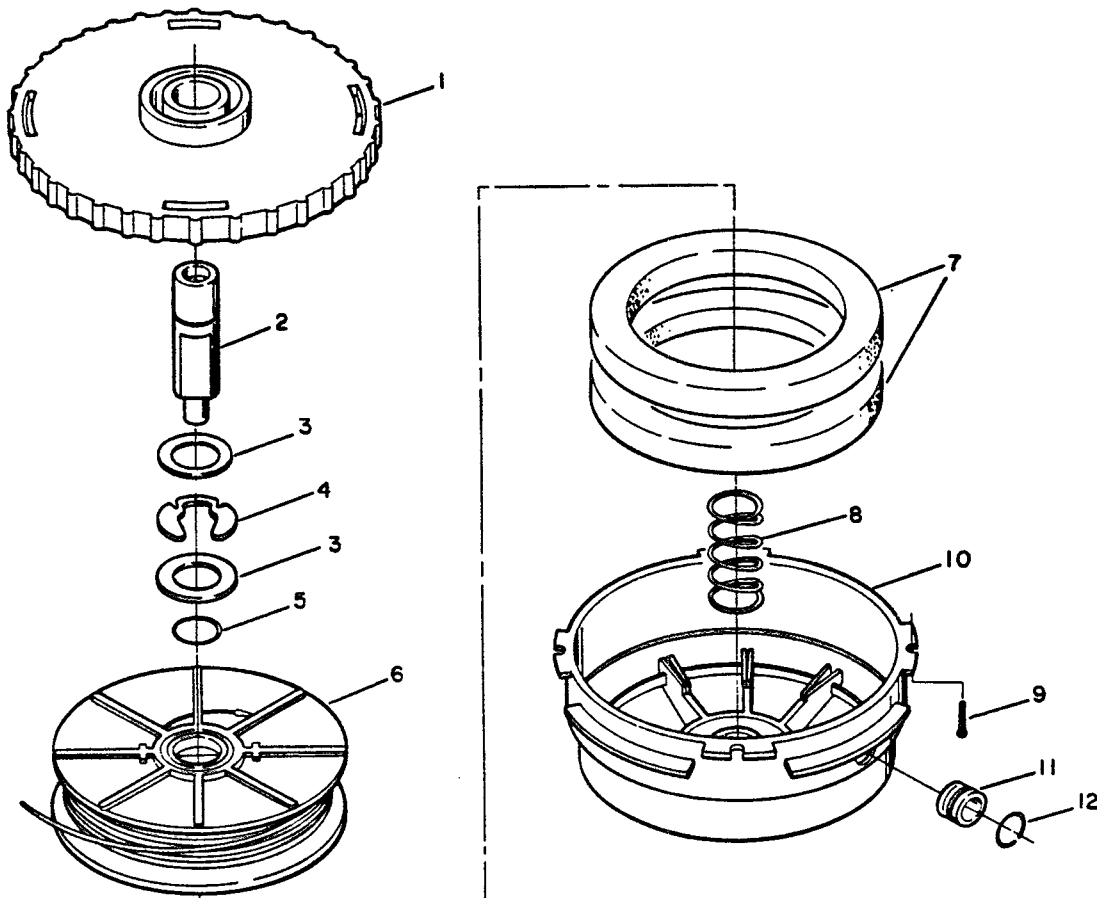
| Key No. | Part No. | Q'ty | Description | Key No. | Part No. | Q'ty | Description |
|---------|-----------------|------|----------------------|---------|-----------------|------|----------------------|
| 7- | 123 000-0932 0 | 1 | Carburetor WA 143 | 7-20 | -123 127-1063 0 | 1 | Retaining, spring |
| 1 | -123 144-0393 0 | 5 | Screw | 21 | -123 172-0432 0 | 1 | Swivel |
| 2 | -123 142-0393 0 | 1 | Cover, m. diaphragm | 22 | -123 127-0393 0 | 1 | Clip, throttle shaft |
| 3 | -123 141-0393 0 | 1 | Diaphragm, meterring | 23 | -123 116-0523 0 | 1 | Valve, throttle |
| 4 | -123 140-0653 0 | 1 | Gasket, m. diaphragm | 24 | -123 114-0393 0 | 1 | Screw, thrt. valve |
| 5 | -123 145-1633 0 | 1 | Plug, welch | 25 | -123 126-1063 1 | 1 | Screen, inlet |
| 6 | -123 169-1063 0 | 1 | Ring, retaining | 26 | -123 112-1503 0 | 1 | Pump diaphragm |
| 7 | -123 168-1063 1 | 1 | Screen | 27 | -123 125-1503 0 | 1 | Gasket, pump |
| 8 | -123 146-1063 0 | 1 | Plug, welch | 28 | -123 124-1653 0 | 1 | Cover, fuel pump |
| 9 | -123 123-0393 0 | 1 | Lever, merering | 29 | -123 110-0393 0 | 1 | Screw, pump cover |
| 10 | -123 138-0393 0 | 1 | Pin, metering lever | 30 | -123 133-1113 0 | 1 | Spring, idle adjust |
| 11 | -123 139-0393 0 | 1 | Screw, m. lever pin | 31 | -123 134-0653 0 | 1 | Screw, idle adjst. |
| 12 | -123 122-0393 0 | 1 | Spring, meter. lever | 32 | - Unavailable | 1 | Body ass'y |
| 13 | -123 137-0393 0 | 1 | Valve, inlet needle | | | | |
| 14 | -123 119-0393 0 | 1 | Spring, h. s. needle | | | | |
| 15 | -123 120-0076 0 | 1 | Needle, high speed | | | | |
| 16 | -123 121-0393 0 | 1 | Spring, needle | | | | |
| 17 | -123 118-2443 0 | 1 | Needle, idle | | | | |
| 18 | -123 113-0393 0 | 1 | Spring, thrt. return | | | | |
| 19 | -123 117-0932 0 | 1 | Shaft, throttle | | | | |

TAP TO ADVANCE MONOFILAMENT HEAD ASSEMBLY

*101092802 Packaged with .080 line (orange)

*517181 Bulk with .080 line (clear)

*517191 Bulk with .095 line (clear)



| INDEX NO. | PART NO. | DESCRIPTION |
|-----------|----------|------------------------|
| 1 | 362915 | Plate, rear |
| 2 | 529600 | Adapter, drive |
| 3 | 22014643 | Washer (2) |
| 4 | 487410 | Ring, wire retaining |
| 5 | 246730 | Ring, thrust retaining |
| 6 | ** | Spool Assembly |
| 7 | 158620 | - Pad, foam (2) |
| 8 | 157410 | Spring |
| 9 | 270310 | Pin, cotter |
| 10 | 486425 | Hub Assembly |
| 11 | 157600 | - Eyelet |
| 12 | 487420 | - Ring, eyelet |

**486845 Spool with .080 line (orange)

486855 Spool with .095 line (clear)

486865 Spool with .080 line (clear)

STEEL BLADE (OPTION)

| Key No. | Part No. | Q'ty | Description |
|---------|----------------|------|--------------------|
| | 696 001-2033 0 | 1 | Eight blade cutter |
| | 695 001-0833 0 | 1 | Circular saw |